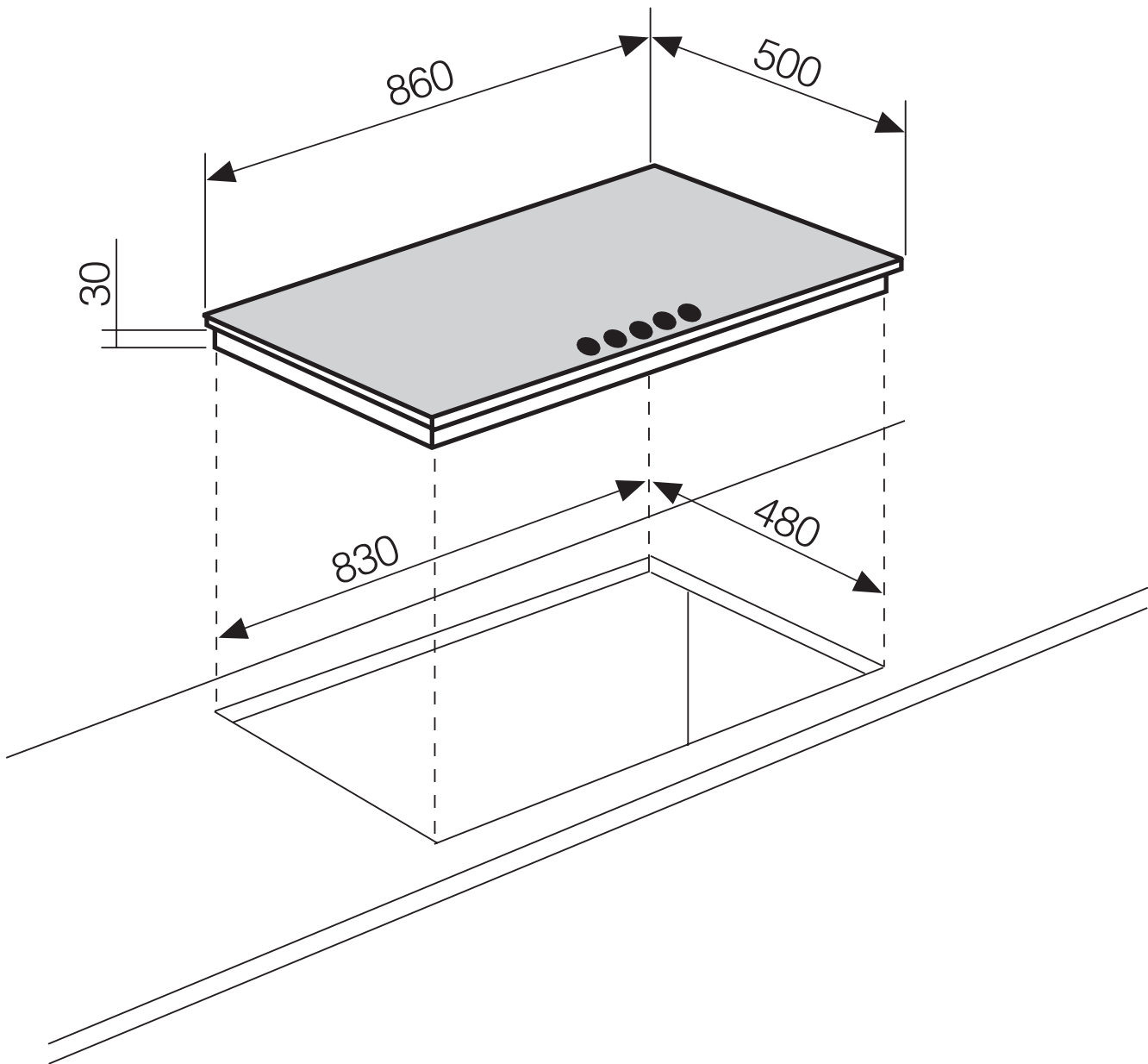


# Installation Diagram



## 90cm C95GWI, FC95GSWI - Gas Cooktop



### GLEM GAS Australasia

Unit 26,10 Straits Avenue, South Granville, NSW 2142

PO BOX 63 Blaxcell PO, South Granville, NSW 2142

**T:** (02) 9721 2755 **F:** (02) 9721 2766 **E:** [info@glemgas.com.au](mailto:info@glemgas.com.au) **W:** [www.emiliaglem.com.au](http://www.emiliaglem.com.au)